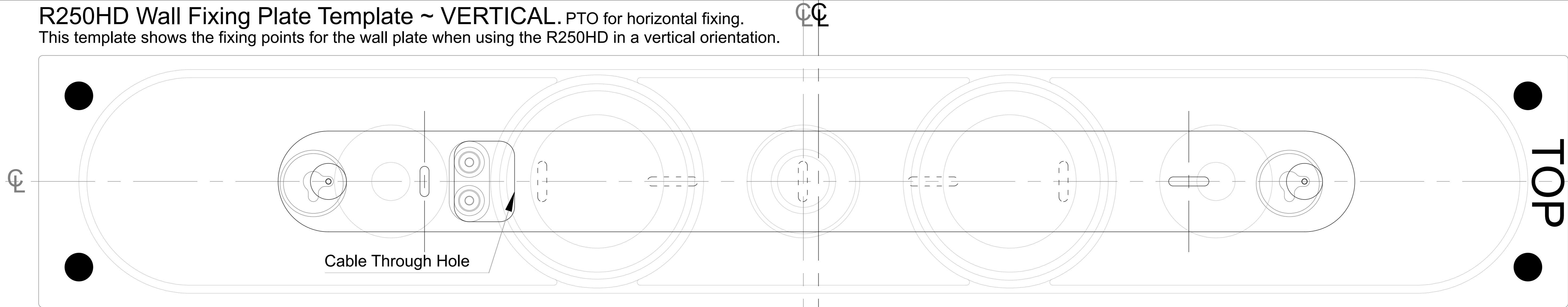
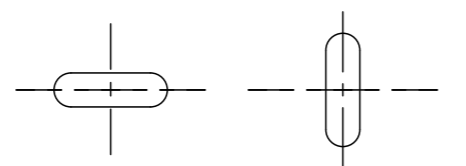


R250HD Wall Fixing Plate Template ~ VERTICAL. PTO for horizontal fixing.

This template shows the fixing points for the wall plate when using the R250HD in a vertical orientation.



—— Use for fixing vertically.
—— Cabinet outline and cabinet centre points



Denotes wall fixing point.
(dashed lines are additional fixing points if required)



Fix 4 x small rubber feet on rear to stabilise product if required (vertical fixing only)