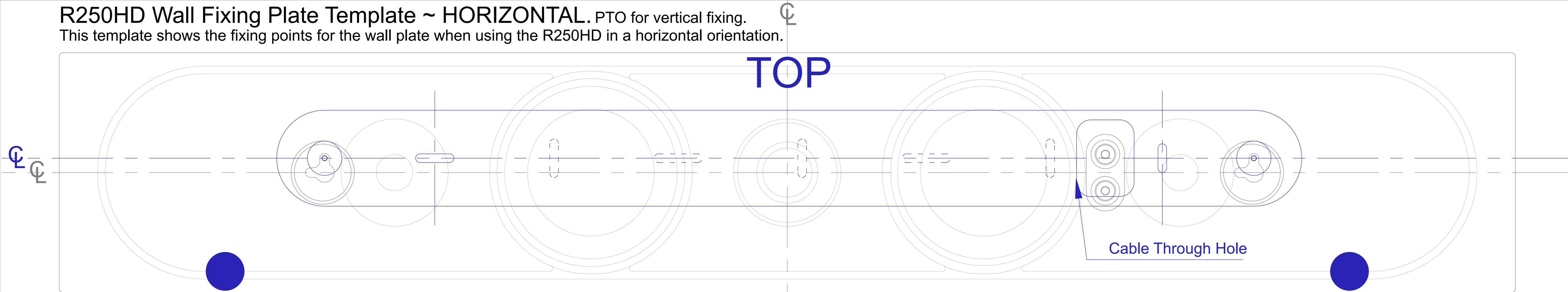
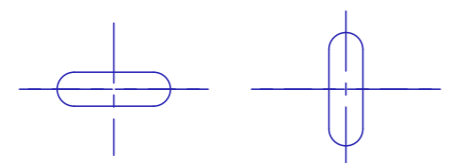


R250HD Wall Fixing Plate Template ~ HORIZONTAL. PTO for vertical fixing.

This template shows the fixing points for the wall plate when using the R250HD in a horizontal orientation.



— Use for fixing horizontally.
— Cabinet outline and cabinet centre points



Denotes wall fixing point.
(dashed lines are additional fixing points if required)



Fix 2 x large rubber feet on rear to stabilise product if required (horizontal fixing only)