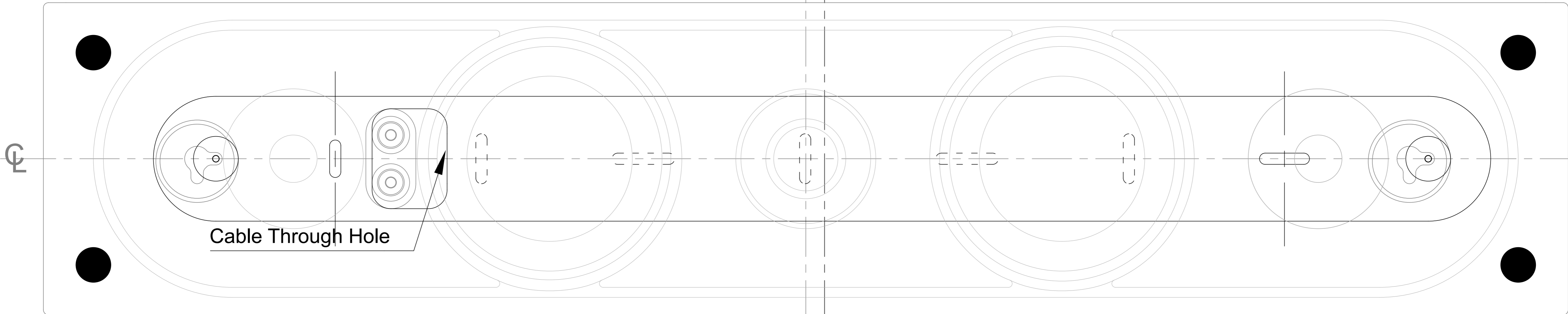


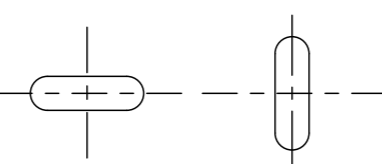
R225HD Wall Fixing Plate Template ~ VERTICAL.

This template shows the fixing points for the wall plate when using the R225HD in a vertical orientation. PTO for horizontal fixing



— Use for fixing vertically

— Cabinet outline and cabinet centre points



Denotes wall fixing point. (dashed lines are additional fixing points if required)

● Fix 4 x small rubber feet to stabilise product if required (vertical fixing only)