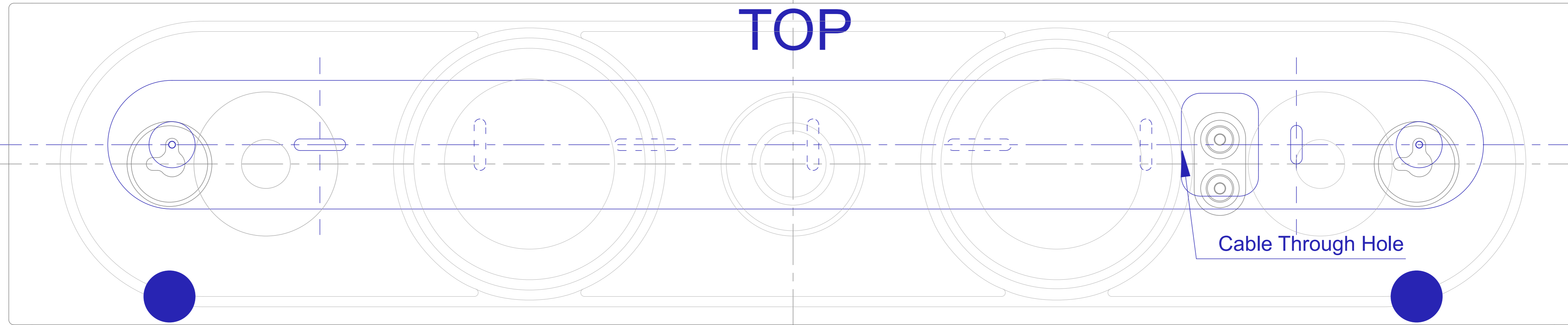


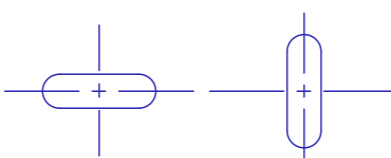
R225HD Wall Fixing Plate Template ~ HORIZONTAL.

This template shows the fixing points for the wall plate when using the R225HD in a horizontal orientation. PTO for vertical fixing

TOP



— Use for fixing horizontally
— Cabinet outline and cabinet centre points



Denotes wall fixing point.
(dashed lines are additional fixing points if required)



Fix 2 x large rubber feet to stabilise product if required (horizontal fixing only)