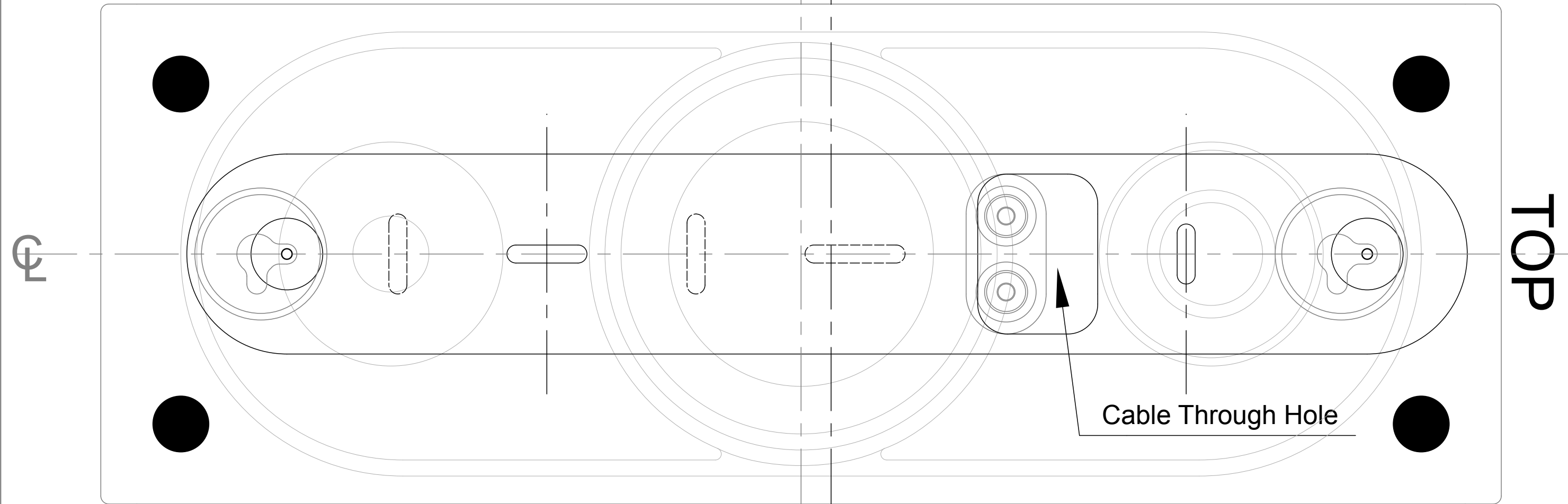


# R180HD Wall Fixing Plate Template

~ VERTICAL. PTO for horizontal fixing



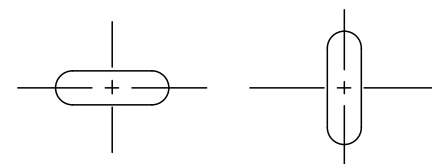
This template shows the fixing points for the wall plate when using the R180HD in a vertical orientation.



— Use for fixing vertically.

— Cabinet outline and cabinet centre points

● Fix 4 x small rubber feet on rear to stabilise product if required (vertical fixing only)



Denotes wall fixing point. (dashed lines are additional fixing points if required)