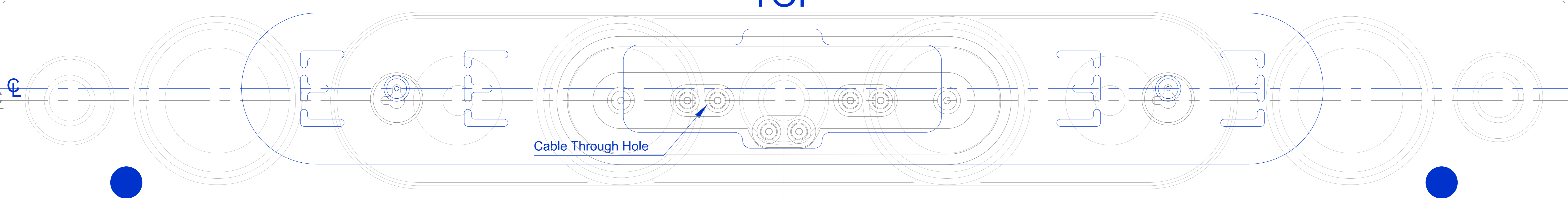


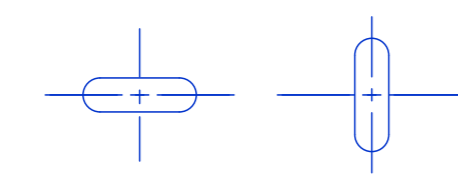
# R oneHD Wall Fixing Plate Template ~ HORIZONTAL.

This template shows the fixing points for the wall plate when using the R oneHD in a horizontal orientation.

TOP



— Use for fixing horizontally.  
— Cabinet outline and cabinet centre points

 Denotes wall fixing point.  
(dashed lines are additional fixing points if required)

 Fix 2 x large rubber feet on rear of product to stabilise product if required.